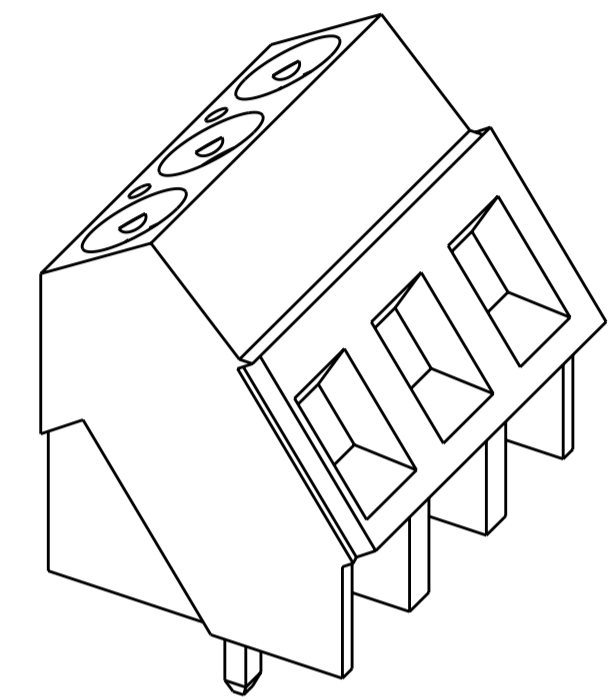
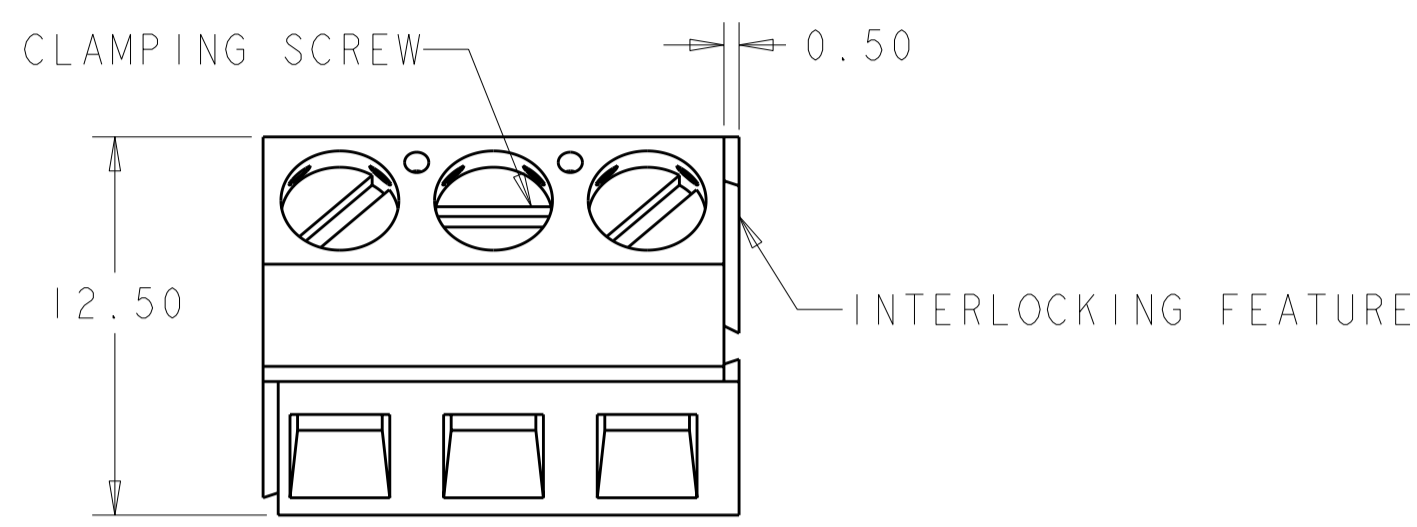
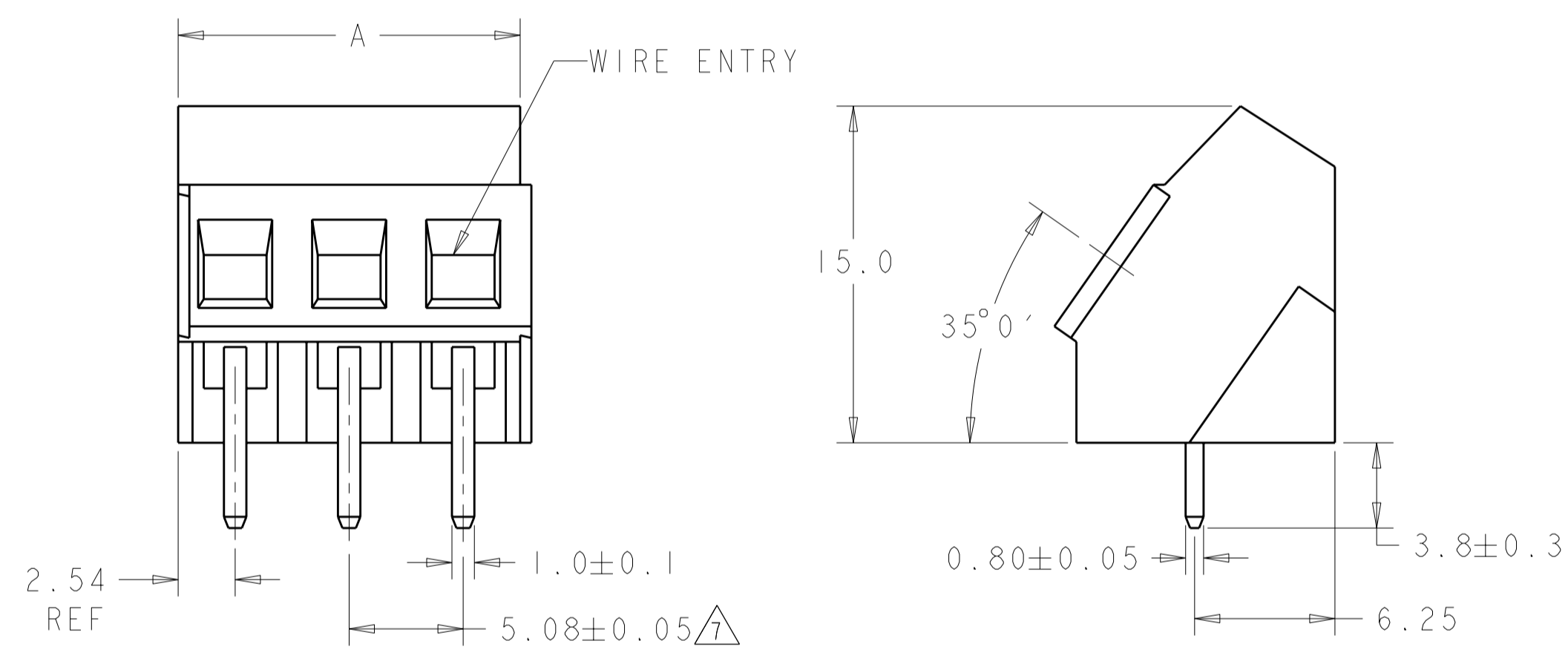


THIS DRAWING IS UNPUBLISHED. RELEASED FOR PUBLICATION 20  
 © COPYRIGHT 20 BY TYCO ELECTRONICS CORPORATION. ALL RIGHTS RESERVED.

LOC		DIST		REVISIONS			
P	LTR	DESCRIPTION	DATE	DWN	APVD		
FT	0	D2	REVISD PER ECO-09-016764	21JUL2009	HMR	CR	

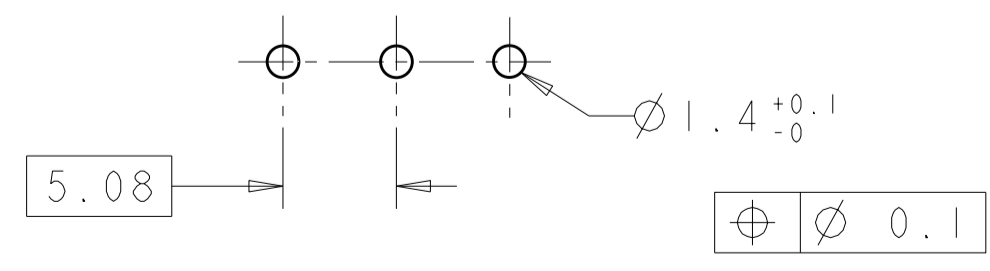


- 3 AS SHOWN



COLOR	DIM. A	MARKING	COMPOSITION	N° POS.	PART NUMBER	
GREEN	15.24	9	1, 2, 3	3	2-282847-5	
ORANGE	15.24	-	-	3	2-282847-3	
	45.72	9	SEE SHEET 2	3+3+3 pos.	9	1-282847-4
	66.04	9	SEE SHEET 2	2+2+3+3+3 pos.	13	1-282847-3
	60.96	-	-	3+3+3+3 pos.	12	1-282847-2
	55.88	-	-	3+3+3+2 pos.	11	1-282847-1
	50.80	-	-	3+3+2+2 pos.	10	1-282847-0
GREEN	45.72	-	-	3+3+3 pos.	9	282847-9
	40.64	-	-	3+3+2 pos.	8	282847-8
	35.56	-	-	3+2+2 pos.	7	282847-7
	30.48	-	-	3+3 pos.	6	282847-6
	25.40	-	-	3+2 pos.	5	282847-5
	20.32	-	-	2+2 pos.	4	282847-4
	15.24	-	-	-	3	282847-3
	10.16	-	-	-	2	282847-2

RECOMMENDED PC BOARD LAYOUT



THIS DRAWING IS A CONTROLLED DOCUMENT FOR TYCO ELECTRONICS CORPORATION. IT IS SUBJECT TO CHANGE AND THE CONTROLLING ENGINEERING ORGANIZATION SHOULD BE CONTACTED FOR THE LATEST REVISION.

DWN: E. ZANOLINI 15MAR2001  
 CHK: D. BIEVENOUR 15MAR2001  
 APVD: D. BIEVENOUR 15MAR2001

PRODUCT SPEC: -  
 APPLICATION SPEC: -  
 WEIGHT: -

TOLERANCES UNLESS OTHERWISE SPECIFIED:  
 0 PLC ±-  
 1 PLC ±.3  
 2 PLC ±.25  
 3 PLC ±.  
 4 PLC ±-  
 ANGLES ±2  
 FINISH

NAME: Tyco Electronics  
 Harrisburg, PA 17105-3608

TERMINAL BLOCK, PCB MOUNT  
 ANGLED ENTRY WIRE, STACKING  
 W/ INTERLOCK, 5.08mm, PITCH

SIZE: A2  
 CAGE CODE: 00779  
 DRAWING NO: C-282847

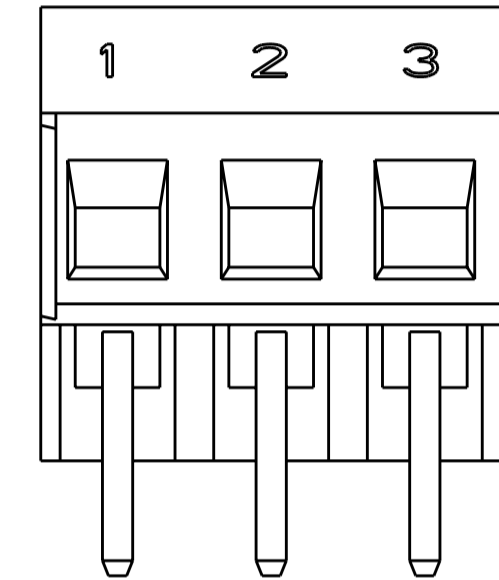
RESTRICTED TO: -

CUSTOMER DRAWING SCALE: 4:1 SHEET 1 OF 2 REV D2

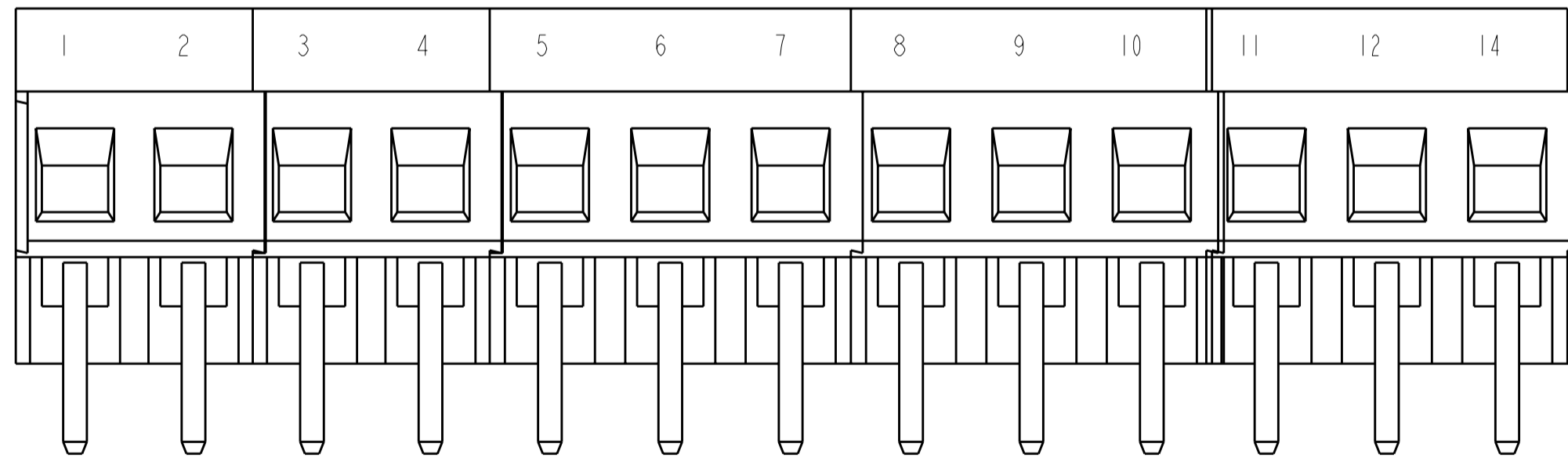
THIS DRAWING IS UNPUBLISHED. RELEASED FOR PUBLICATION 20  
 © COPYRIGHT 20 BY TYCO ELECTRONICS CORPORATION. ALL RIGHTS RESERVED.

LOC	DIST	REVISIONS			
P	LTR	DESCRIPTION	DATE	DWN	APVD
FT	0	-	SEE SHEET 1	-	-

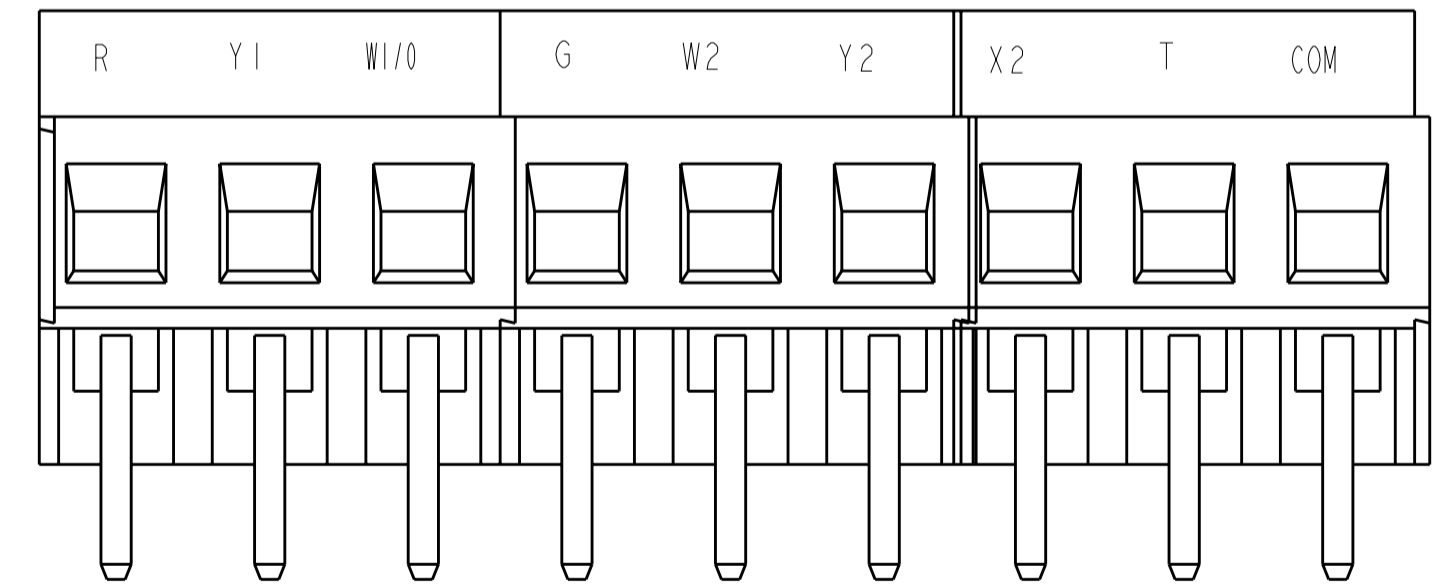
- 1 MATERIALS AND FINISH:  
 HOUSING: PA 6-6, UL 94-V0, COLOR: SEE TABLE.  
 CLAMP: BRASS, NICKEL PLATED.  
 TERMINAL: BRASS, TIN PLATED.  
 CLAMPING SCREW: M3, BRASS, NICKEL PLATED.
- 2 SUITABLE FOR 1,6-2,4mm PCB THICKNESS.
- 3 END-TO-END STACKABLE W/INTERLOCK, WITHOUT LOSS OF CENTERLINE SPACING.
- 4 WIRE SIZE RANGE:  
 SOLID WIRE: 0,03-2,5mm<sup>2</sup> (13AWG)  
 STRANDED WIRE: 0,03-1,5mm<sup>2</sup> (15AWG)
- 5 RECOGNIZED UNDER THE COMPONENT PROGRAM OF UNDERWRITERS LABORATORIES INC., FILE N° E60677.
- 6 IMQ CERTIFICATE WITH SURVEILLANCE IN CONFORMITY WITH IEC 998-1/998-2-1.
- 7 NOT CUMULATIVE TOLERANCE.
- 8 P/NS OBTAINED BY GLUING AND ASSEMBLING TOGETHER LISTED CONNECTORS.
- 9 INK MARKING, BLACK COLOR



P/N 2-282847-5 AS SHOWN



P/N 1-282847-3 AS SHOWN



P/N 1-282847-4 AS SHOWN

<small>THIS DRAWING IS A CONTROLLED DOCUMENT FOR TYCO ELECTRONICS CORPORATION. IT IS SUBJECT TO CHANGE AND THE CONTROLLING ENGINEERING ORGANIZATION SHOULD BE CONTACTED FOR THE LATEST REVISION.</small>		DWN E. ZANOLINI 15MAR2001 CHK D. BIEVENOUR 15MAR2001 APVD D. BIEVENOUR 15MAR2001	Tyco Electronics Harrisburg, PA 17105-3608
DIMENSIONS: mm	TOLERANCES UNLESS OTHERWISE SPECIFIED: 0 PLC ±- 1 PLC ±.3 2 PLC ±.25 3 PLC ±- 4 PLC ±- ANGLES ±2 FINISH	PRODUCT SPEC - APPLICATION SPEC - WEIGHT -	NAME TERMINAL BLOCK, PCB MOUNT ANGLED ENTRY WIRE, STACKING W/ INTERLOCK, 5.08mm, PITCH
MATERIAL		CUSTOMER DRAWING	SIZE A2 CAGE CODE 00779 DRAWING NO. C-282847 RESTRICTED TO -
		SCALE 4:1	SHEET 2 OF 2 REV D2